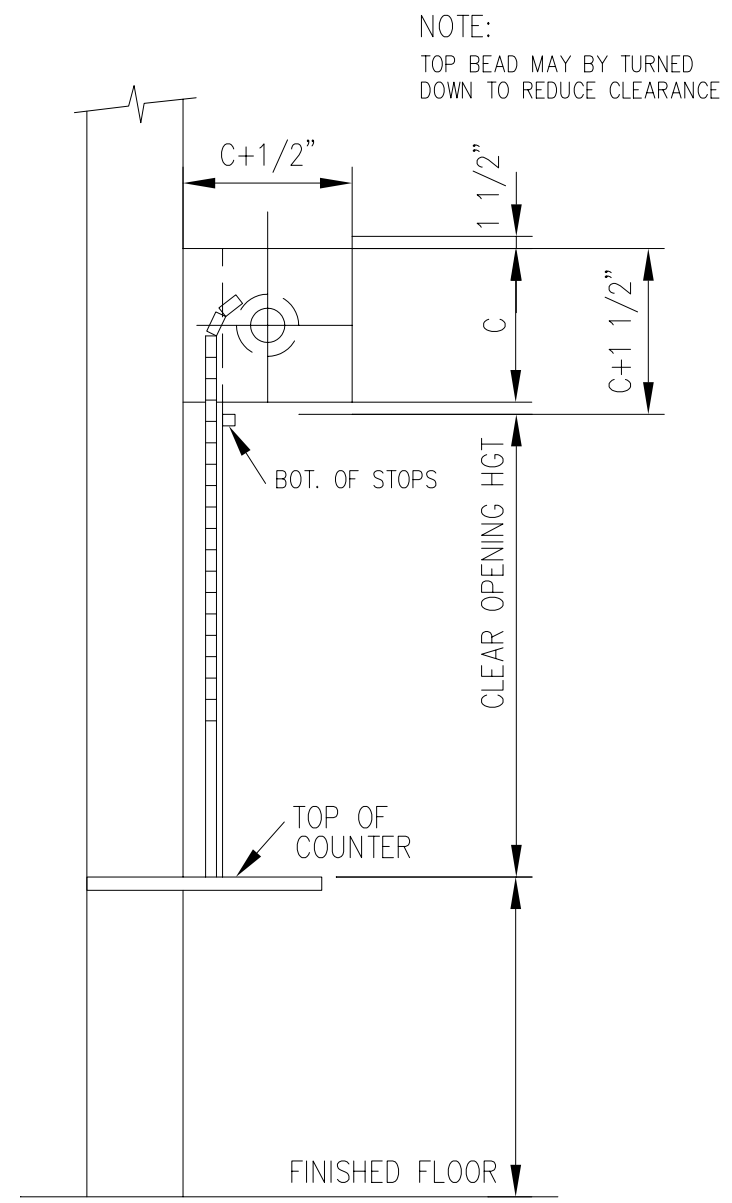
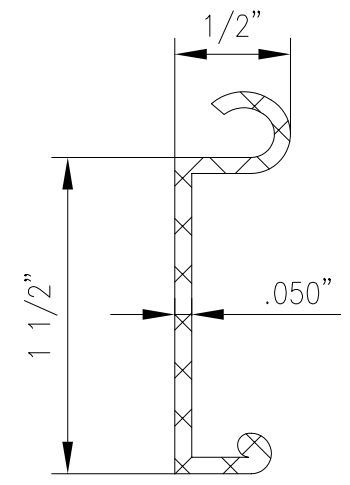


INSIDE (COIL SIDE) ELEVATION



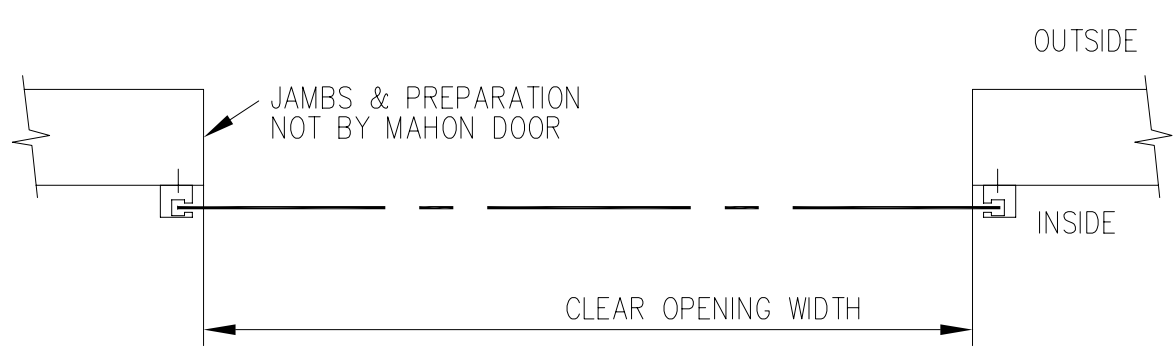
SECTION A-A

OPENING HIGHT	C
TO 5'-1"	10"
5'-1" TO 8'-0"	12"

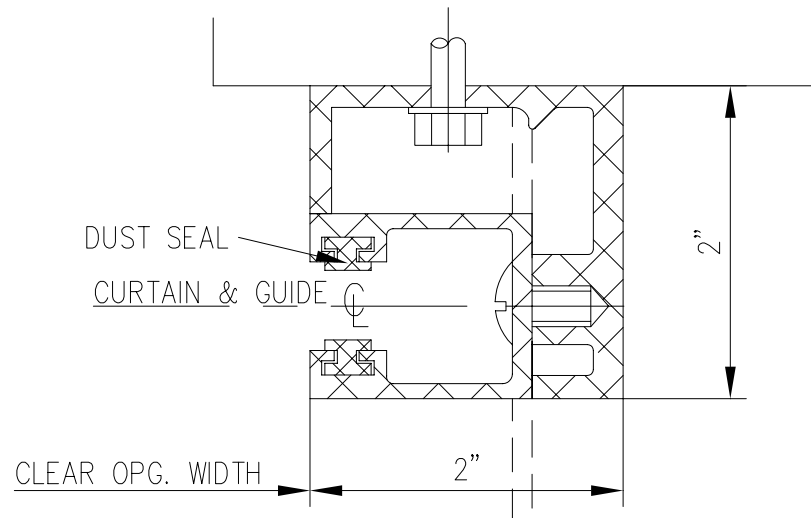


E5 SLAT SECTION
EXTRUDED ALUM.

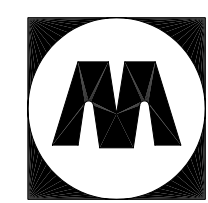
STANDARD FINISH:
ALL ALUMINUM SURFACES SHALL BE CLEAR SATIN ANODIZED. OTHER PARTS SHALL RECEIVE ONE SHOP COAT OF ALUM. PAINT.
SPECIAL FINISH:



PLAN VIEW



GUIDE DETAIL



MAHON DOOR CORPORATION

TITLE					CONTRACT No.
FACE OF WALL MTD. ALUM. COUNTER SHUTTER-SP1A					
JOB					DWG No.
DRAWN BY	DATE	CHECKED			
PRINTS		REVISIONS			
DATE	PRINT	DATE	No.	DESCRIPTION	