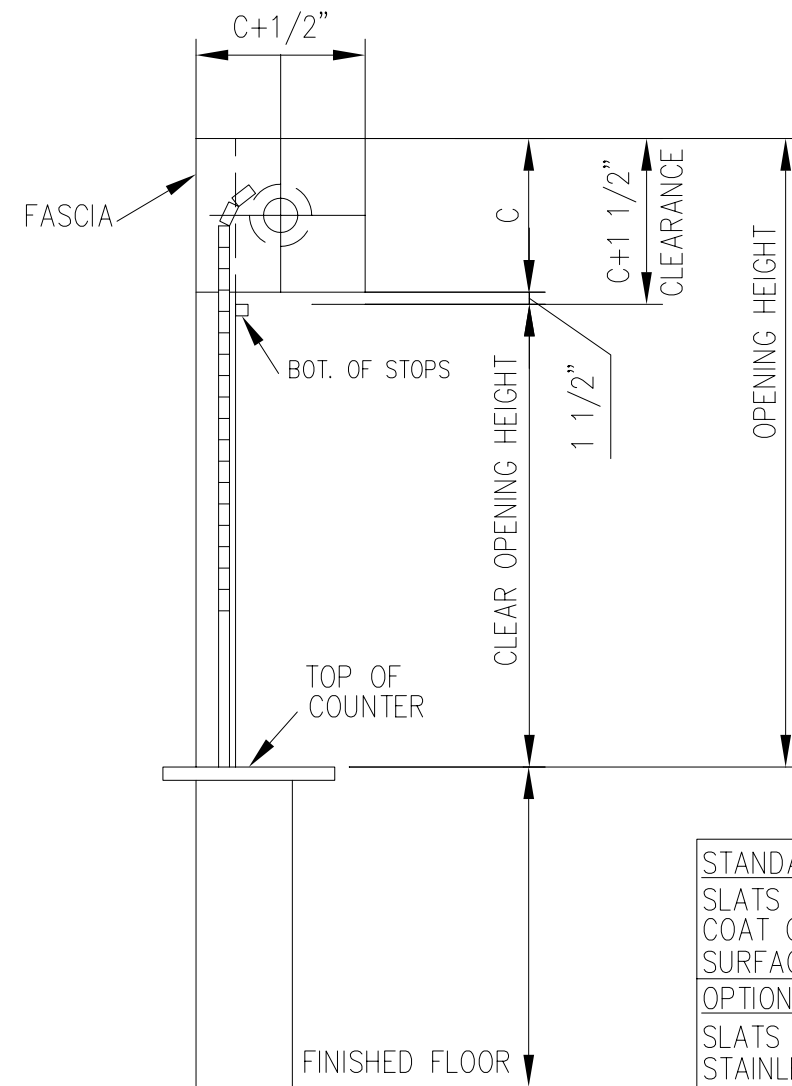
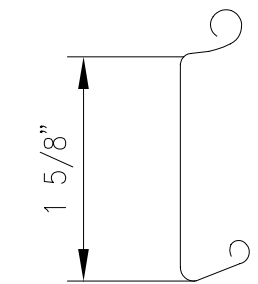


INSIDE (COIL SIDE) ELEVATION



SECTION A-A

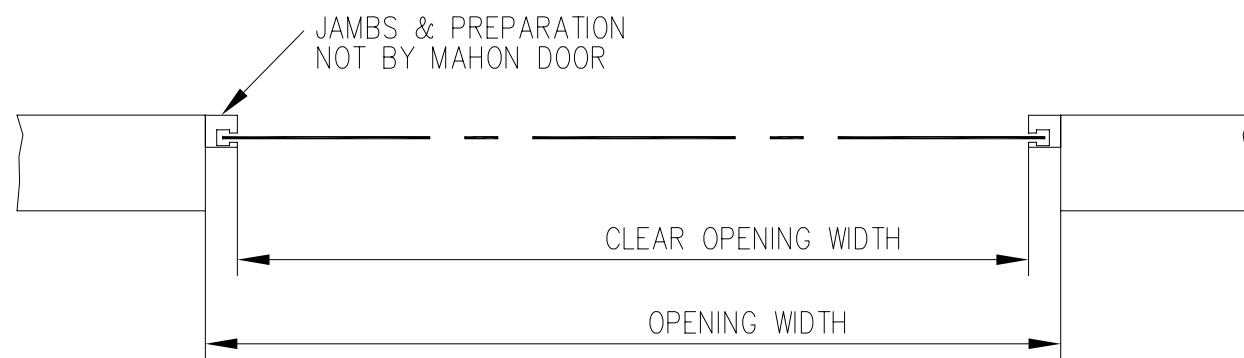
OPENING HEIGHT	C
TO 5'-1"	10"
5'-1" TO 8'-0"	12"



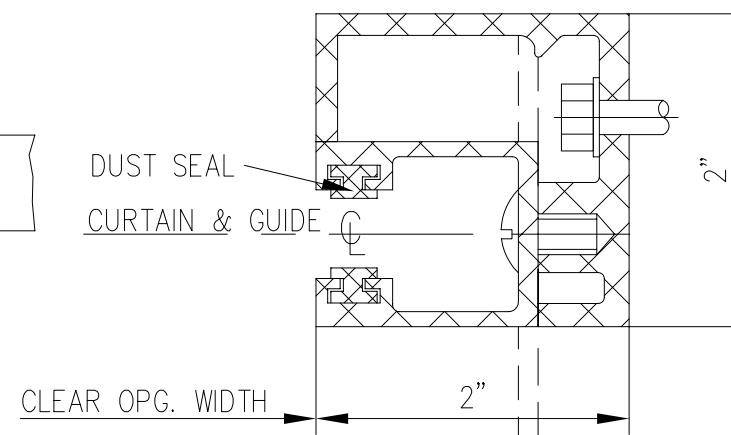
SLAT SECTION No.1 SLAT
22 GA. STEEL

STANDARD FINISH
SLATS AND HOOD GALVANIZED WITH SHOP COAT OF TAN PRIMER. ALL OTHER STEEL SURFACES SHALL BE PRIMED GRAY.

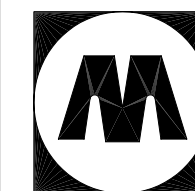
OPTIONAL FINISH
SLATS ,BOTTOM BAR,HOODS, SHALL BE STAINLESS STEEL W/ALUM. GUIDES. OTHER STEEL PARTS SHALL BE PRIMED ALUMINUM COLOR.



PLAN VIEW



GUIDE DETAIL



MAHON DOOR CORPORATION

TITLE
BETWEEN JAMB MOUNTED COUNTER SHUTTER-SP2

JOB

DRAWN BY		DATE		CHECKED		CONTRACT No.
PRINTS				REVISIONS		DWG No.
DATE	PRINT	DATE	No.	DESCRIPTION		