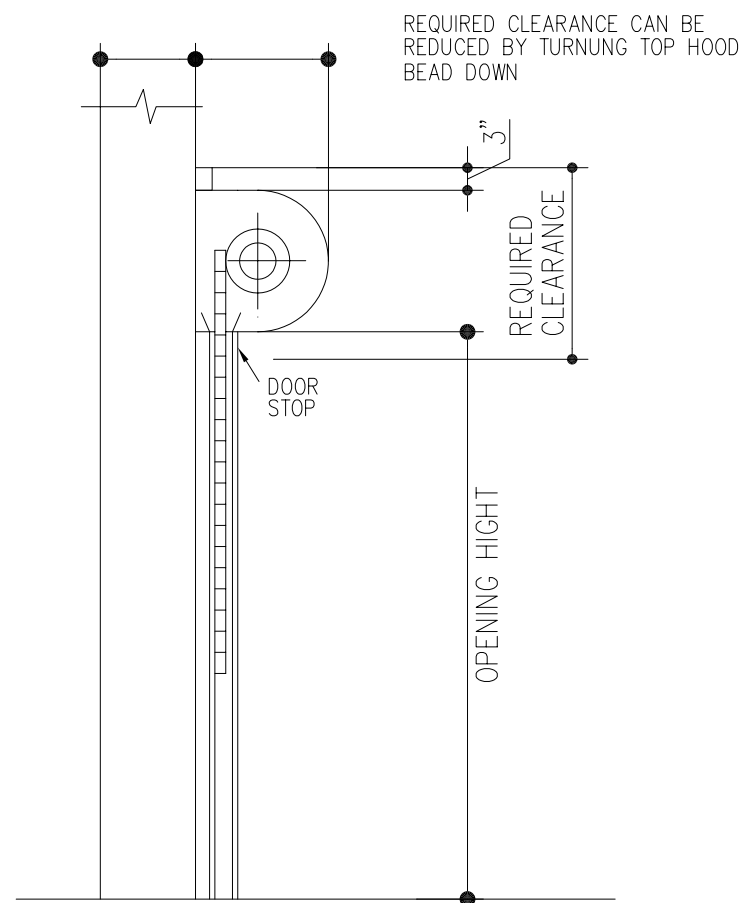
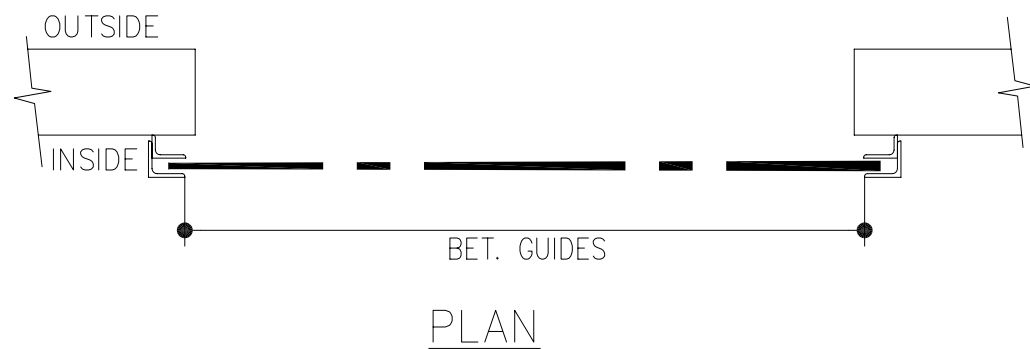


INSIDE ELEVATION
RIGHT HAND AS SHOWN
LEFT HAND OPPOSITE OF SHOWN

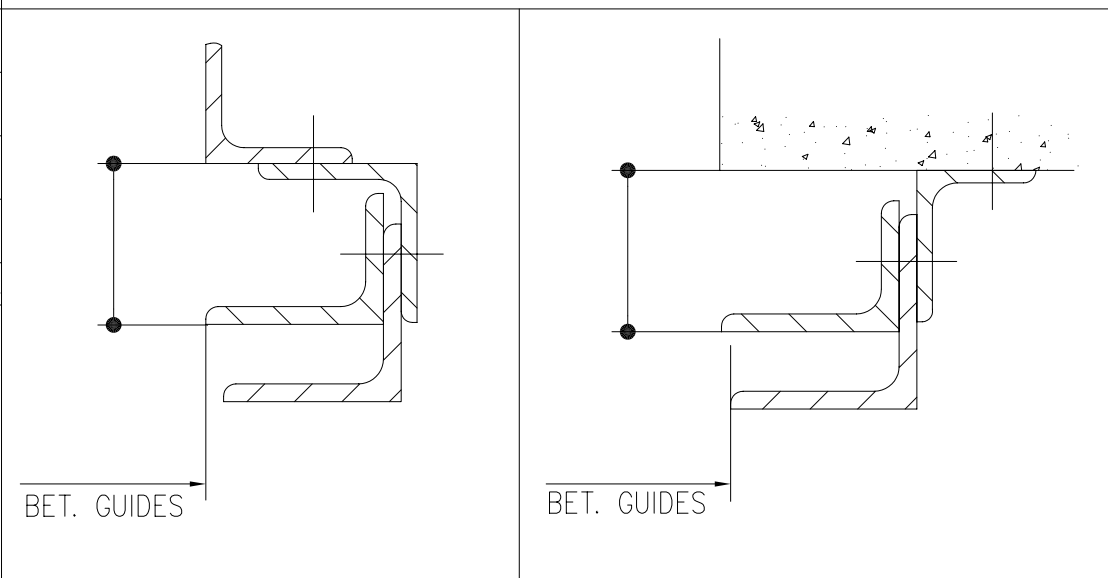


SECTION "A"



PLAN

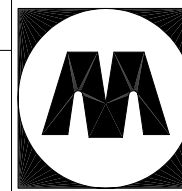
OPENING WIDTH		A	B
OVER	TO		
-	8'-47/8"	7"	7"
8'-5"	14'-0"	7 1/2"	7 1/2"
14'-01/8"	18'-47/8"	8"	8"
No. 3 CURVED		No. 5 FLAT	
		No. 4 INSUL. SEAL	



QUANT.	MARK	OPG. WIDTH	OPG. HGT.	HAND	GUIDE	JAMB	LOCATIONS	REMARKS

FINISHED CURTAIN SLATS TO HAVE BAKED-ON PRIMER, ALL OTHER STEEL TO RECEIVE ONE SHOP COAT OF SPRAYED ON PRIMER

NOTE :
ALL WIRE, WIRING, CONDUIT, FUSES, LINE SWITCHES & CONNECTIONS SHALL BE FURNISHED & INSTALLED BY OTHERS.



MAHON DOOR CORPORATION

PROJECT				CONTRACT No.	
MADE BY	DATE	CHCKD. BY	DATE	DRAWN BY	
PRINTS		REVISIONS			