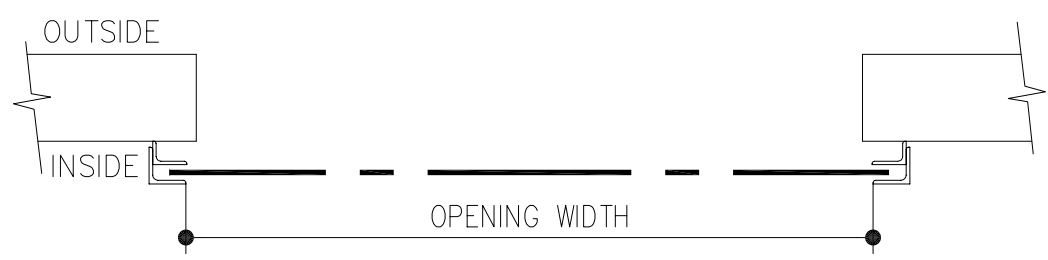
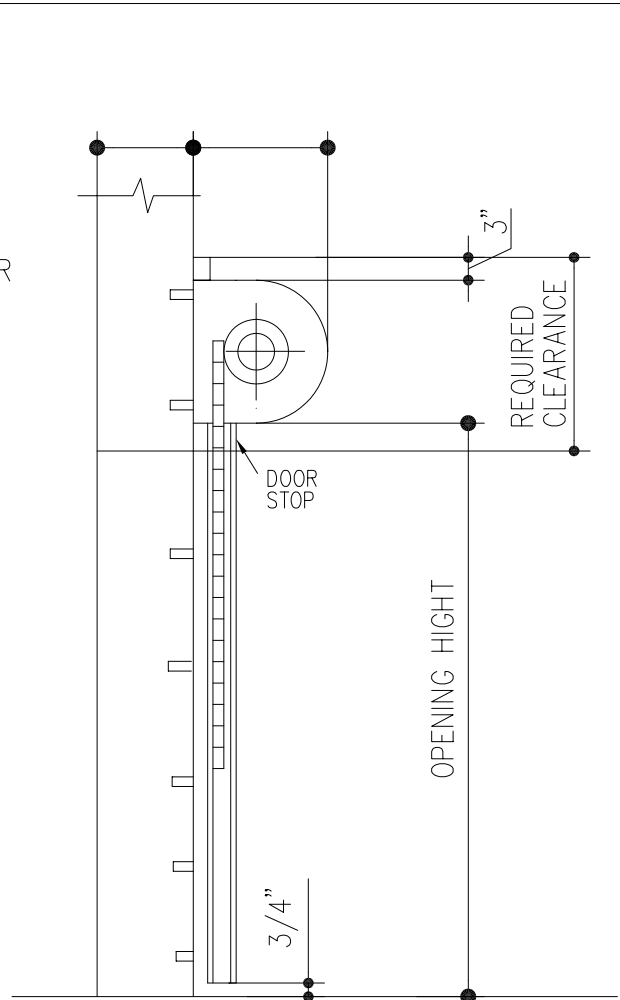


INSIDE ELEVATION
 RIGHT HAND AS SHOWN
 LEFT HAND OPPOSITE OF SHOWN



PLAN



SECTION "A"

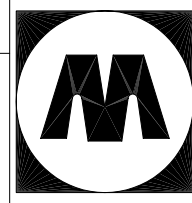
OPENING WIDTH		A	B
OVER	TO		
-	4'-0"	7 1/2"	8"
4'-0 1/8"	8'-0"	8"	8 1/2"
8'-0 1/8"	12'-0"	8 1/2"	9"
No. 3 CURVED		No. 5 FLAT	

STEEL JAMBS	MASONRY JAMBS
<p>U1S U1M</p> <p>2 3/8"</p> <p>2"x1 1/2"x3/4"</p> <p>2 1/2"x2"x3/4"</p> <p>OPG WIDTH</p> <p>HEEL TO HEEL</p> <p>DIM.=OPG+4 3/4"</p>	<p>U1S U1M</p> <p>2 3/16"</p> <p>2"x1 1/2"x3/4"</p> <p>2 1/2"x2"x3/4"</p> <p>OPG WIDTH</p> <p>HEEL TO HEEL</p> <p>DIM.=OPG+4 3/8"</p>
<p>U2S U2M</p> <p>2 1/8"</p> <p>2 1/2"x1 1/2"x3/4"</p> <p>2 1/2"x1 1/2"x3/4"</p> <p>OPG WIDTH</p> <p>HEEL TO HEEL</p> <p>DIM.=OPG+5 3/4"</p>	<p>U2S U2M</p> <p>2 11/16"</p> <p>2 1/2"x1 1/2"x3/4"</p> <p>2 1/2"x1 1/2"x3/4"</p> <p>OPG WIDTH</p> <p>HEEL TO HEEL</p> <p>DIM.=OPG+5 3/8"</p>
<p>U3S U3M</p> <p>3 3/8"</p> <p>3"x2"x3/16"</p> <p>3"x3"x3/16"</p> <p>OPG WIDTH</p> <p>HEEL TO HEEL</p> <p>DIM.=OPG+6 3/4"</p>	<p>U3S U3M</p> <p>3 3/16"</p> <p>3"x2"x3/16"</p> <p>3"x3"x3/16"</p> <p>OPG WIDTH</p> <p>HEEL TO HEEL</p> <p>DIM.=OPG+6 3/8"</p>

QUANT.	MARK	OPG. WIDTH	OPG. HGT.	HAND	GUIDE	JAMB	LOCATIONS	REMARKS

FINISHED CURTAIN SLATS TO HAVE BAKED ON PRIMER, ALL OTHER STEEL TO RECEIVE ONE SHOP COAT OF SPRAYED ON PRIMER

DOOR CONSTRUCTION SHALL CONFORM TO STANDARDS AS ESTABLISHED BY UNDERWRITERS LABORATORIES, INC



MAHON DOOR CORPORATION

PROJECT _____ CONTRACT No. _____

MADE BY _____ DATE _____ CHCKD. BY _____ DATE _____

PRINTS _____ REVISIONS _____

TITLE FPI-PP

DRAWN BY _____