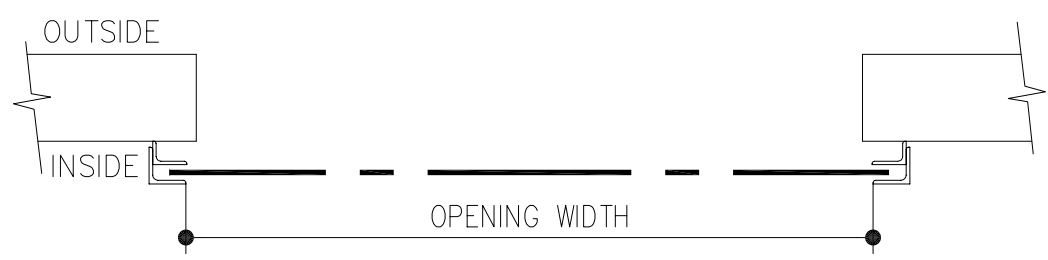
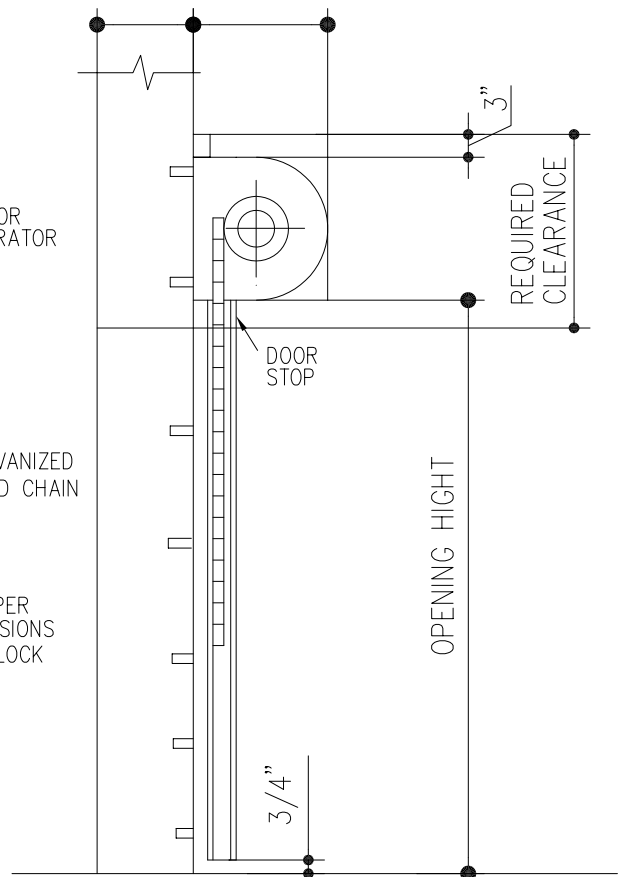


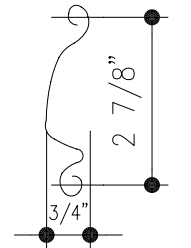
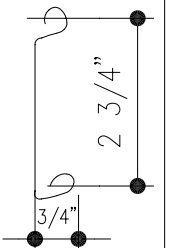
**INSIDE ELEVATION**  
RIGHT HAND AS SHOWN  
LEFT HAND OPPOSITE OF SHOWN

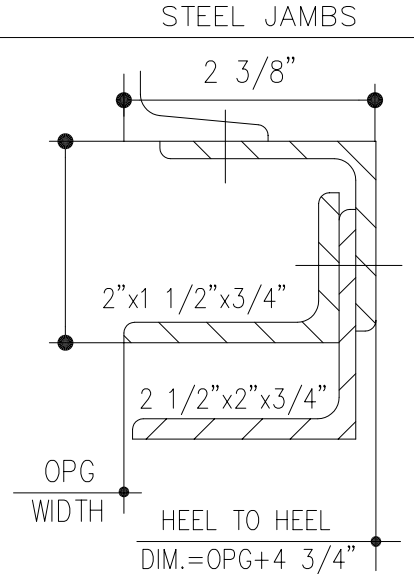
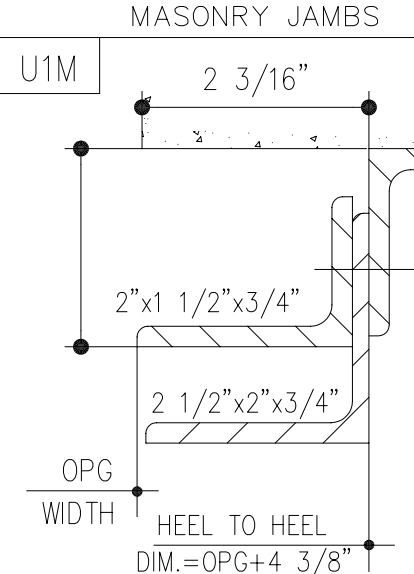
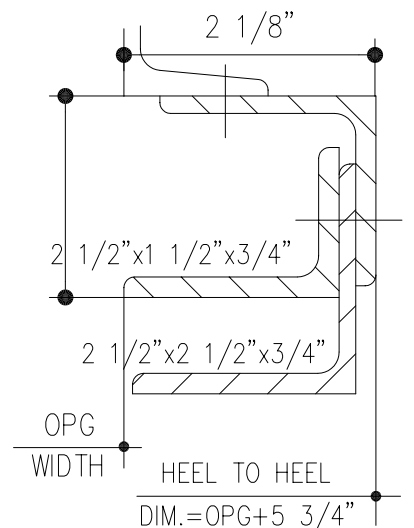
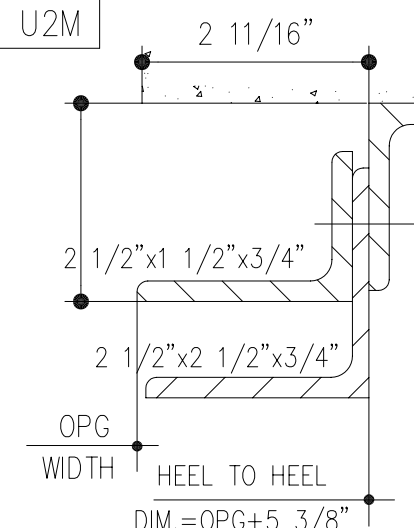
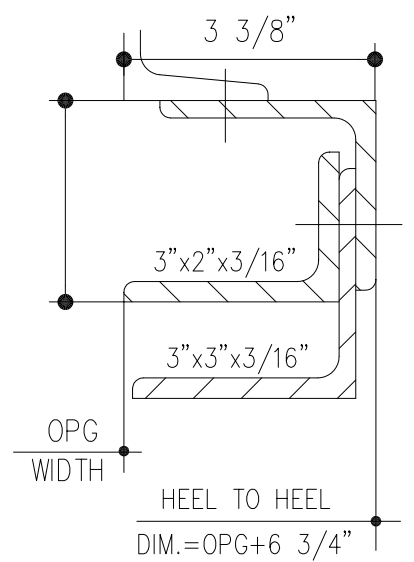
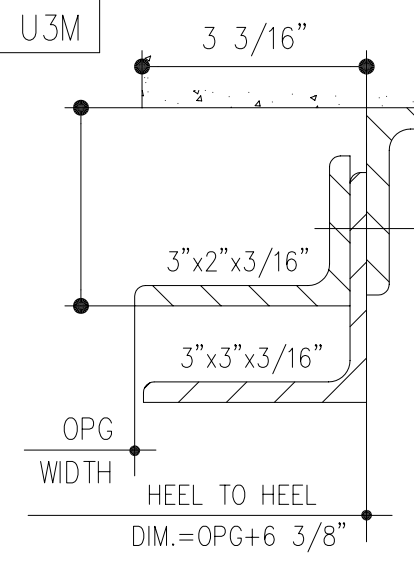


**PLAN**



**SECTION "A"**

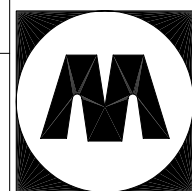
OPENING WIDTH		A	B
OVER	TO		
-	4'-0"	7 1/2"	2'-0"
4'-0 1/8"	8'-0"	8"	2'-0"
8'-0 1/8"	12'-0"	8 1/2"	2'-0"
No. 3 CURVED		No. 5 FLAT	
			

	STEEL JAMBS	MASONRY JAMBS
OPENING WIDTH UP TO 4'-0"	<p>U1S U1M</p>  <p>HEEL TO HEEL DIM.=OPG+4 3/4"</p>	 <p>HEEL TO HEEL DIM.=OPG+4 3/8"</p>
OPENING WIDTH 4'-0 1/8" TO 8'-0"	<p>U2S U2M</p>  <p>HEEL TO HEEL DIM.=OPG+5 3/4"</p>	 <p>HEEL TO HEEL DIM.=OPG+5 3/8"</p>
OPENING WIDTH 8'-0 1/8" TO 12'-0"	<p>U3S U3M</p>  <p>HEEL TO HEEL DIM.=OPG+6 3/4"</p>	 <p>HEEL TO HEEL DIM.=OPG+6 3/8"</p>

QUANT.	MARK	OPG. WIDTH	OPG. HGT.	HAND	GUIDE	JAMB	LOCATIONS	REMARKS

FINISHED CURTAIN SLATS TO HAVE BAKED ON PRIMER, ALL OTHER STEEL TO RECEIVE ONE SHOP COAT OF SPRAYED ON PRIMER

DOOR CONSTRUCTION SHALL CONFORM TO STANDARDS AS ESTABLISHED BY UNDERWRITERS LABORATORIES, INC



**MAHON DOOR CORPORATION**

PROJECT \_\_\_\_\_ CONTRACT No. \_\_\_\_\_

MADE BY \_\_\_\_\_ DATE \_\_\_\_\_ CHCKD. BY \_\_\_\_\_ DATE \_\_\_\_\_

PRINTS \_\_\_\_\_ REVISIONS \_\_\_\_\_

TITLE FMI-PP DRAWN BY \_\_\_\_\_